



WWW.BARRYIND.COM

# RYC2525CT-XXXXJN-83



## BeO Free

## Chip Resistor

### Features:

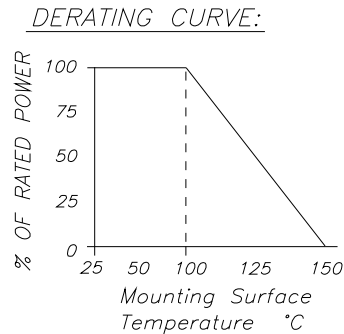
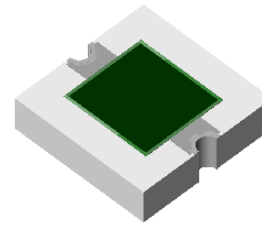
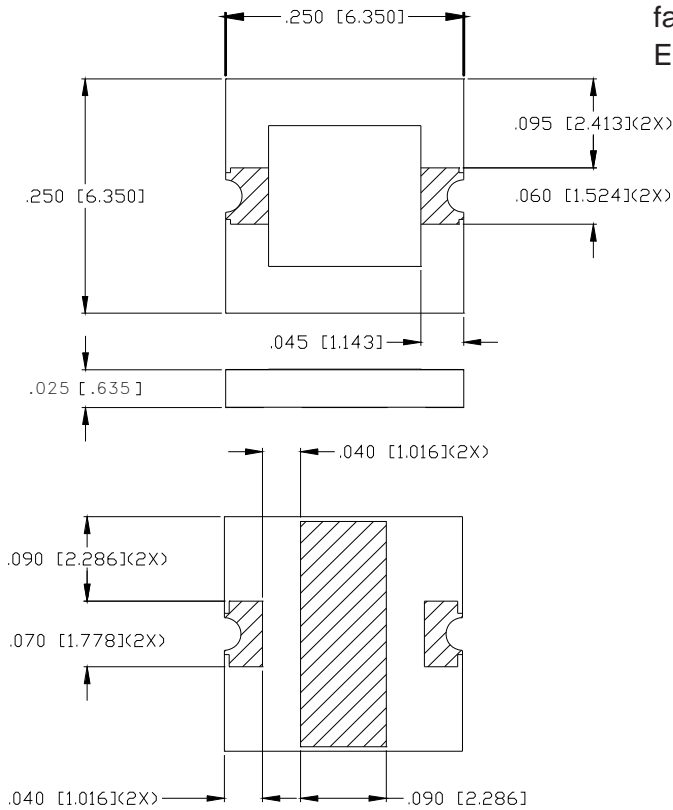
- ◆ BeO-FREE Material
- ◆ 40 Watts Input Power
- ◆ CT = Matte Tin over Nickel over Silver
- ◆ Solder Mountable

### General Description:

The RYC2525CT-XXXXJN-83 is a BeO FREE solder mountable chip resistor. It has an input power rating of 40 watts, while maintaining a constant mounting surface temperature of 100°C.

Standard resistance values are 50 ohms and 100 ohms. Other values are available. Contact the factory for ordering options.

Example part numbers: RYC2525CT-50R0JN-83  
(50 Ohm part)



Dimensions in inches [mm]  
Tolerance ± .005 [.127]  
unless otherwise stated

Parameter	Min.	Typ.	Max.	Units
Input Power		40		Watts
Resistance		+/-5%		
Mounting Surface Temperature			100	°C

Barry Industries reserves the right to change part number and or process without notification.

Barry Industries, Inc., 60 Walton St., Attleboro, MA 02703 T: 508-226-3350 F: 508-226-3317 E-mail: ABSales@Vishay.com

Barry Industries maintains an ISO 9001 Certified Quality Management System

Origination Date	Revision Date	Rev
01/03/06	10/27/10	B